

MR2908-600/800/1000/1200

MIRROR CABINET

INSTALLTION GUIDE



IMPORTANT SAFETY INSTRUCTIONS

When using an electrical furnishing, basic precautions should always be followed, including the following:



DANGER

READ AND FOLLOW ALL INSTRUCTIONS BEFORE USING THIS CABINET.



WARNING

To reduce the risk of burns, fire, electric shock or injury to persons. Use this furnishing only for its intended use as described in these instructions. Do not use attachments not recommended by the manufacturer. Never drop or insert any object into any opening. Do not use outdoors.



WARNING

Risk of electric shock. Connect this furnishing to a properly grounded circuit only. See Grounding instructions.



CAUTION

Please confirm the maximum load weight range of the wall

GROUNDING INSTRUCTIONS:

This product must be connected to a grounded metal, permanent wiring system, or an equipment-grounding conductor must be run with the circuit conductors and connected to the equipment-grounding terminal or lead on the product.

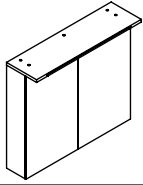


WARNING

An Electrical option cabinet must be wired to a 20 Amp GFI (Ground Fault Interrupter) protected circuit when used in bathrooms and all other locations required by the National Electric Code.

PLEASE SAVE THESE INSTRUCTIONS FOR FUTURE REFERENCE





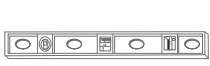
MR2908-600/800/1000/1200

MIRROR CABINET

INSTALLTION GUIDE



TOOLS REQUIRED FOR ASSEMBLY



RULER



HAMMER



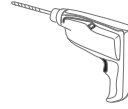
TAPE MEASURE



+SCREDRIVER



-SCREDRIVER



ELECTRIC DRILL

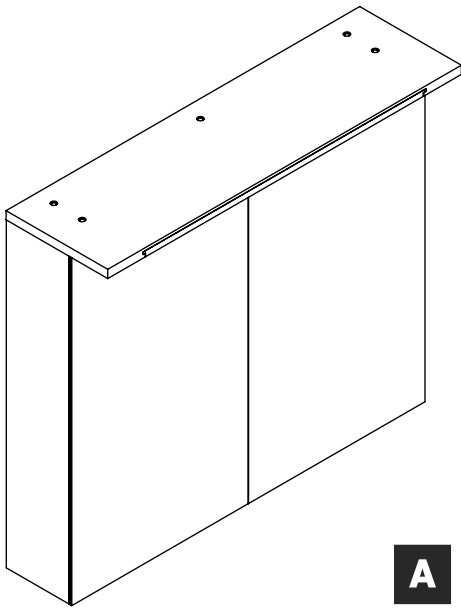


8mm Drill Bit



PENCIL

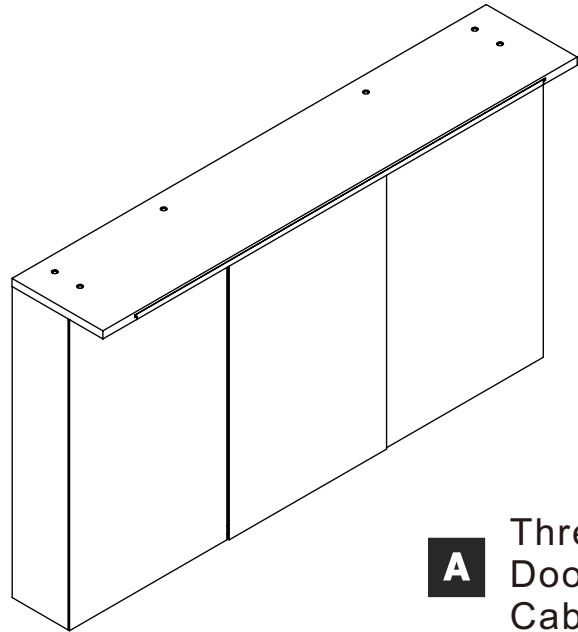
PARTS



A

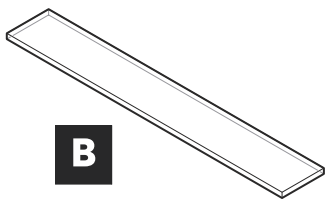
Double Door Cabinet

OR



A

Three Door Cabinet



B

Glass Shelf



D

Tapping Screws



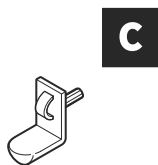
H

Light Box Screws



F

Hole Plug



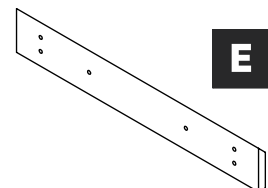
C

Shelf Clip



G

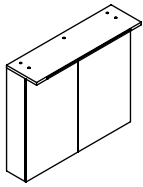
Expansion Tube



E

Bottom Mounting Bracket





MR2908-600/800/1000/1200 MIRROR CABINET INSTALLTION GUIDE



ELECTRIC CONNECTIONS

ALL WIRING SHOULD BE DONE BY A QUALIFIED LICENCED ELECTRICIAN



WARNING: Shut off power before wiring the cabinet.



WARNING: An Electrical option cabinet must be wired to a 20 Amp GFI (Ground Fault Interrupter) protected circuit when used in bathrooms and all other locations required by the National Electric Code.

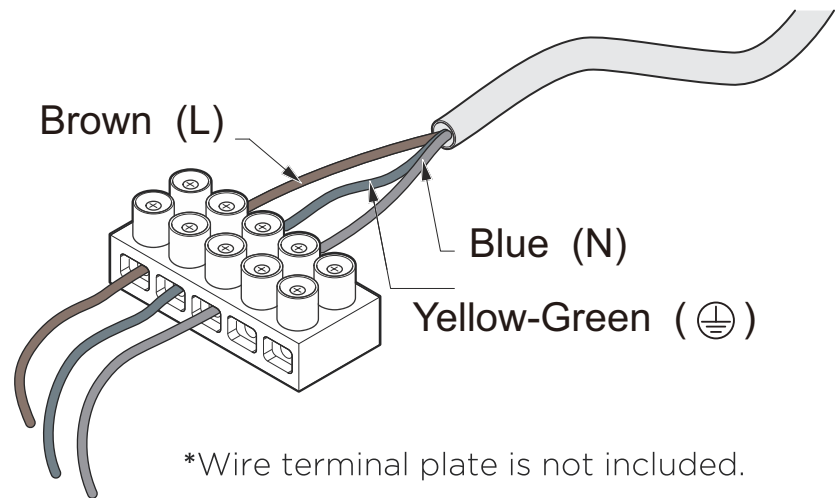
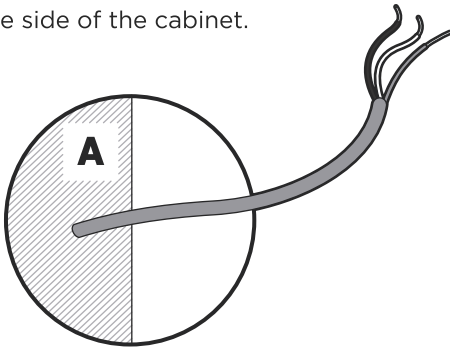


CAUTION: This product must be connected to a grounded, metal permanent wiring system or an equipment-grounding conductor must be run with the circuit conductors and connected to the equipment grounding terminal or lead on the product.



CAUTION: Requires 230 VAC 20 Amp protected circuit.

The electric wire comes through the access hole in the side of the cabinet.



MOUNT INSTALLATION

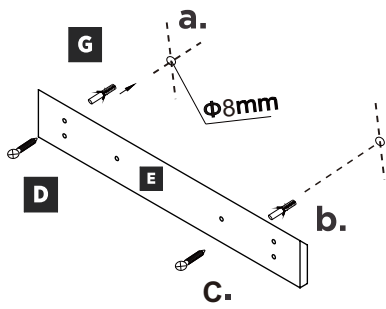
Make Rough Opening and Frame on all sides. Reference your Cabinet Model Dimensions and Rough in dimensions on Page 3. Make sure the cabinet door has a clearance of at least 1" from the top of the faucet and 1" from the ceiling.

Electric wiring: Be sure to provide enough wire to make the proper and safe connection to the Field/Power. Place cabinet in rough-in and make sure the cabinet is square, level and plumb. Secure the cabinet with the mounting screws into the framing studs.



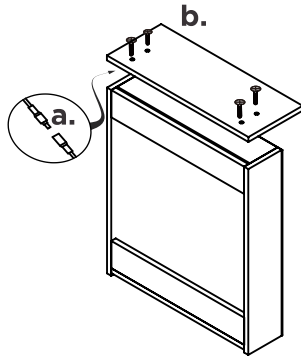
MOUNT INSTALLATION

1



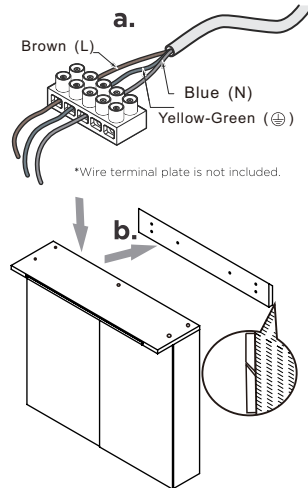
- a. Drilling
- b. Install expansion tube
- c. Mounting bracket

2



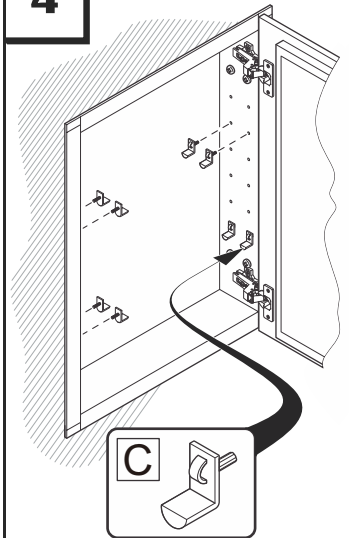
- a. Mounting connector
- b. Install the lighting box

3



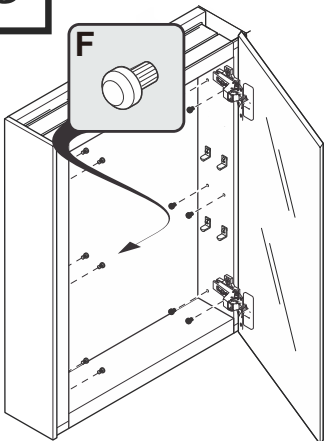
- a. wire connection
- b. Hang mirror cabinet on the wall

4



Choose the position for your shelves, then push and twist the snap-in pins into place.

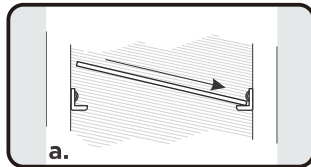
5



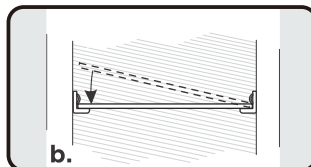
Install decorative cap

6

GLASS SHELF INSTALLATION

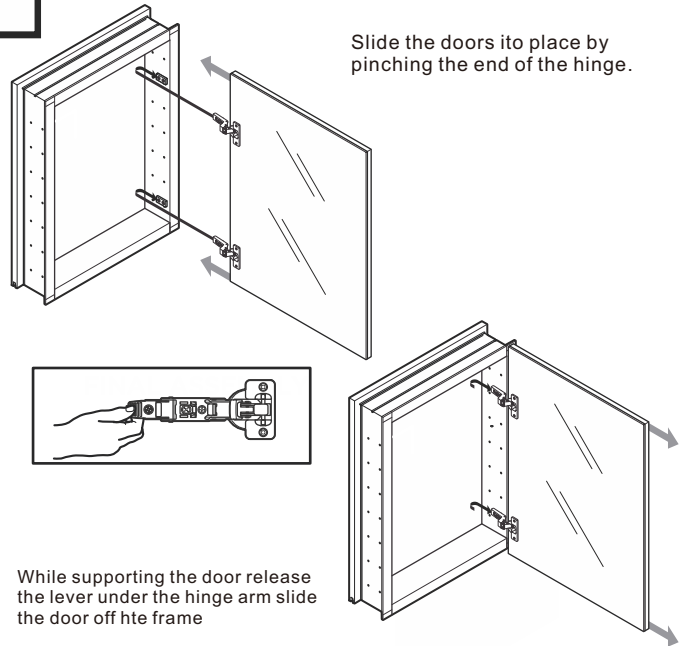


- a. Push a side of the glass shelf into the left or the right pins.



- b. Snap the glass shelf into the opposite side.

7



Slide the doors into place by pinching the end of the hinge.

While supporting the door release the lever under the hinge arm slide the door off the frame

OPTIONAL DOOR ADJUSTMENT

Doors may need to be adjusted after the initial shipping of the cabinet. The cabinet doors have a three-way adjustment feature. Height, side-to-side, level and depth can be adjusted. With the hinge slightly closed you can access the middle screw for up/down adjustment. With the hinge fully extended you can access the front and back screws. These screws will move the door side to side and in and out.

